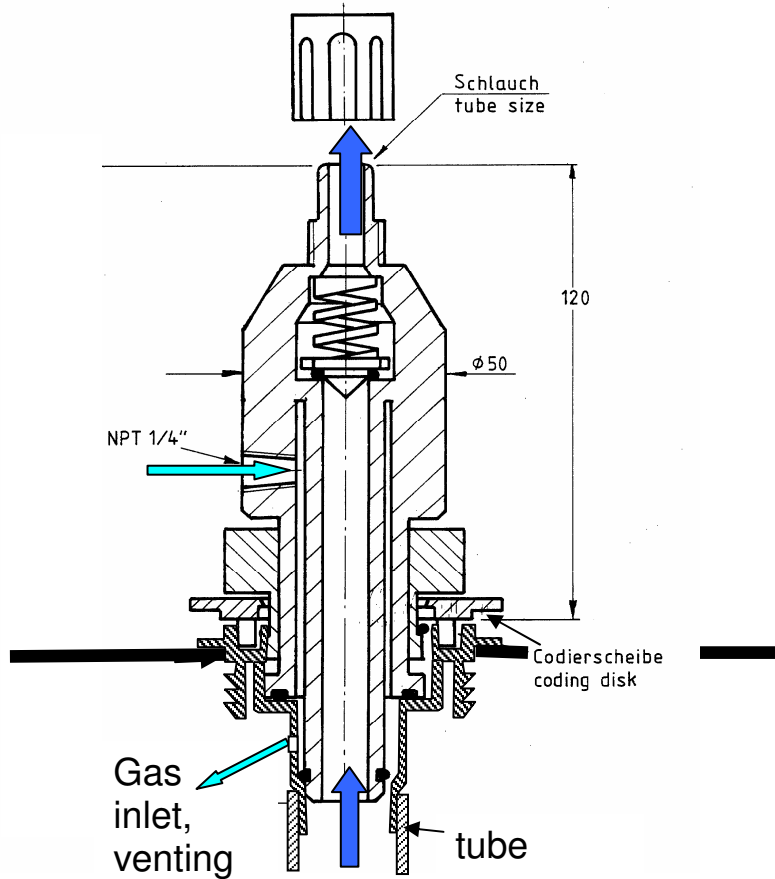
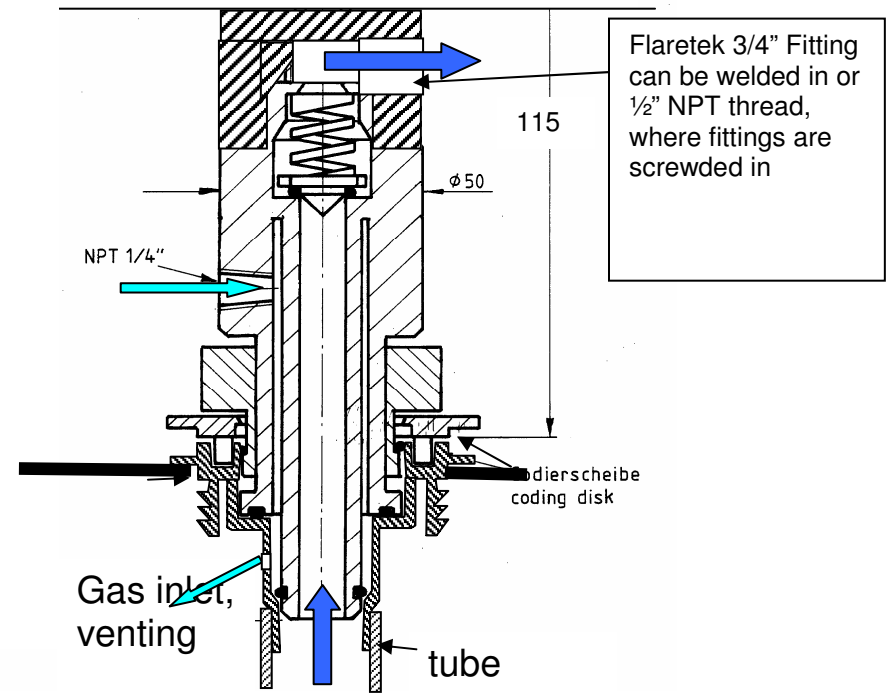


**Schematic Drawings of QC2 dispense heads**



**QC2 dispense head with chemical outlet on top as you have samples**



This dip-tube head is screwed into the bung hole of the drum

**Space-saver QC2 dispense head with chemical outlet on side, without check-valve, the height can be reduced by another 30-40mm**